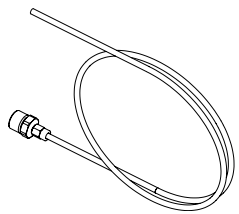



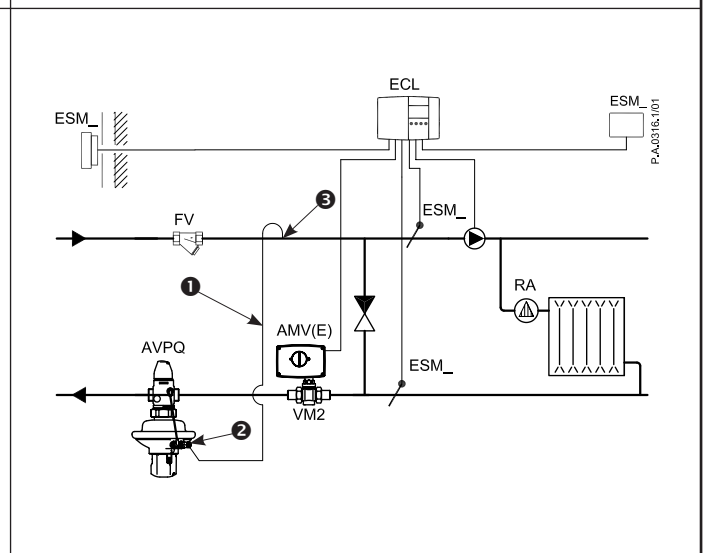
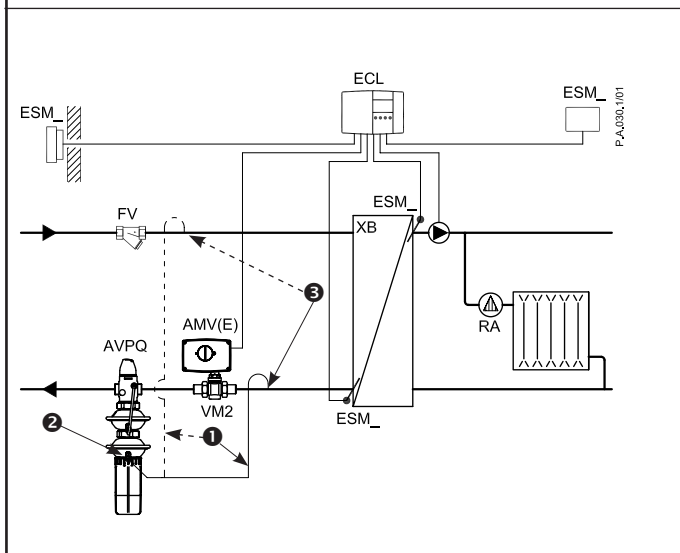
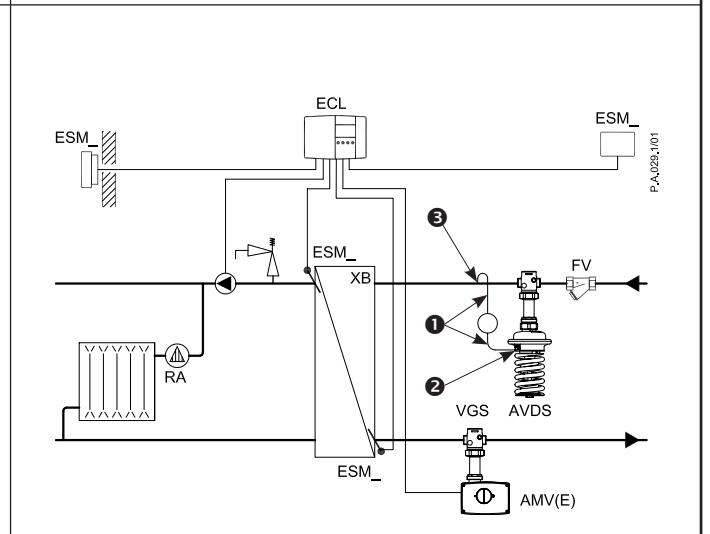
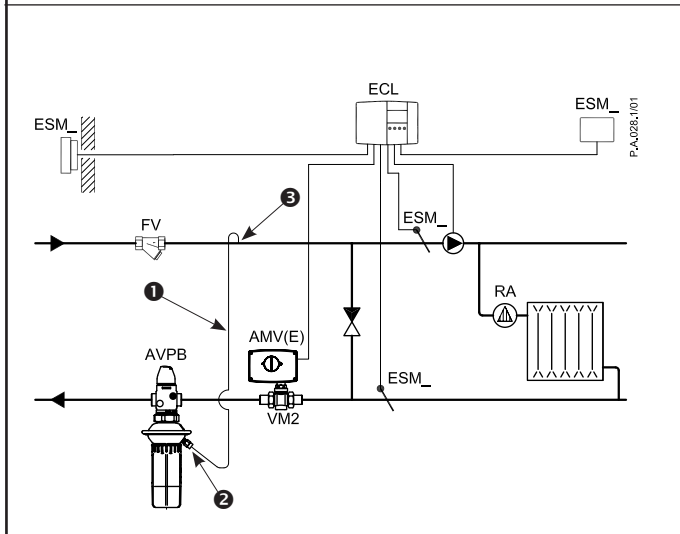
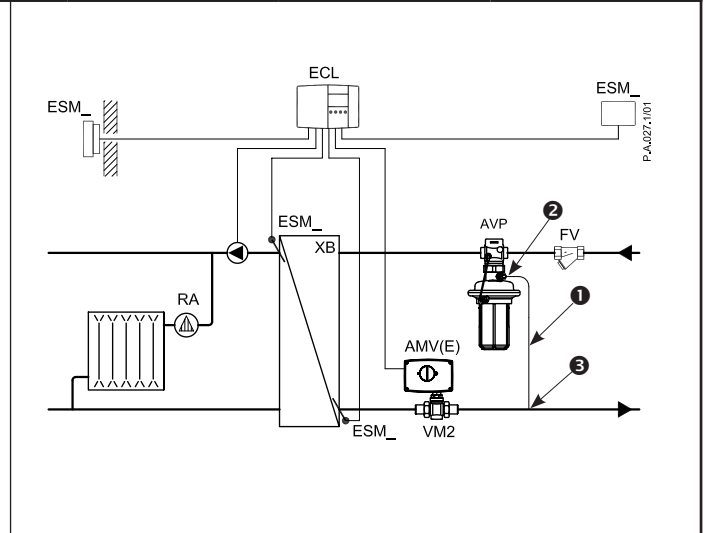
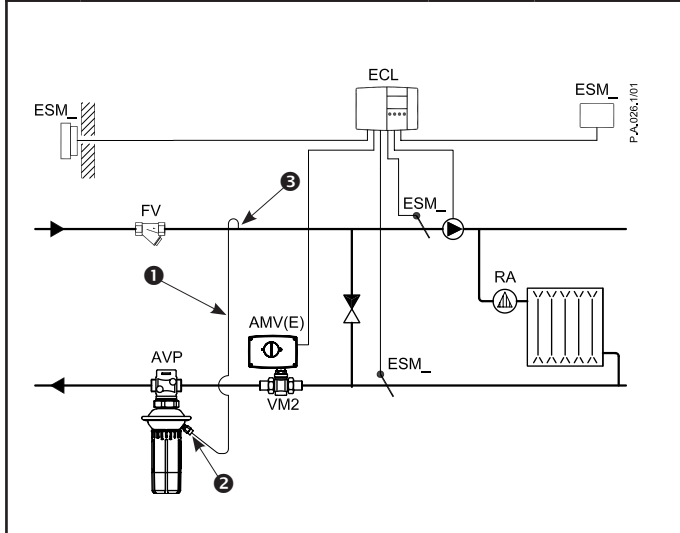


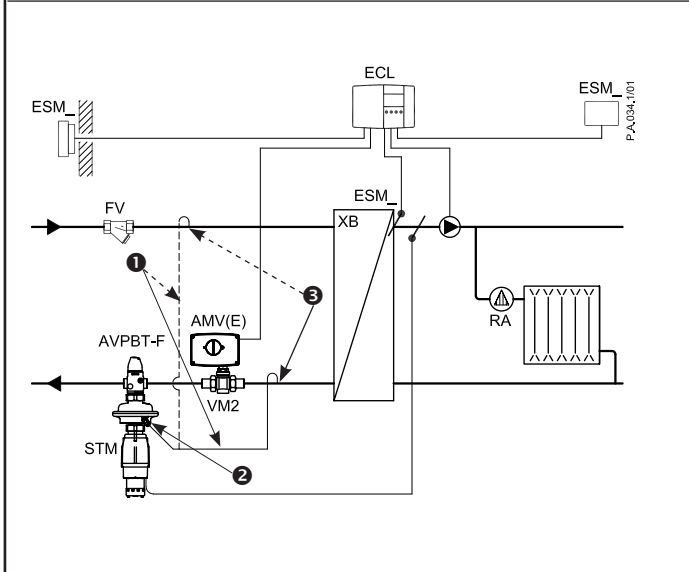
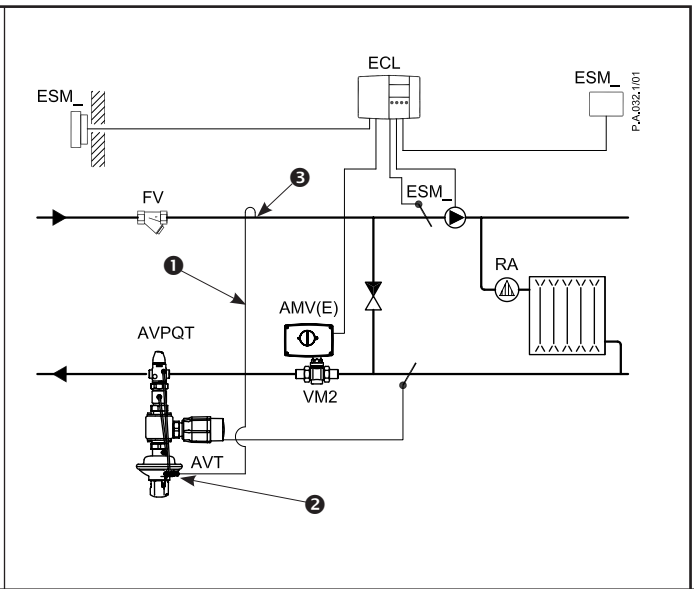
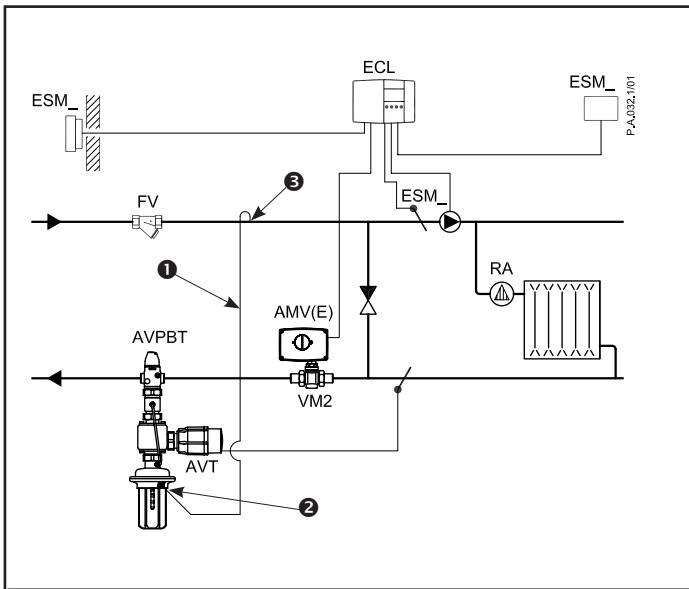
# Instructions

## Accessories – Catalogue

2	①		R 1/8	003H6852		SW 12 (14 Nm)	SW 10																			
			R 3/8	003H6853		SW 12 (14 Nm)	SW 17																			
			R 1/2	003H6854		SW 12 (14 Nm)	SW 22																			
			-	003H6860		SW 12 (14 Nm)	SW 12 (14 Nm)																			
	②		G 1/8	003H6931			SW 12 (14 Nm)	SW 14																		
				003H6932			SW 12 (14 Nm)	SW 10																		
	③		R 1/8	003H6857			SW 12 (14 Nm)	SW 17																		
			R 3/8	003H6858			SW 12 (14 Nm)	SW 22																		
			R 1/2	003H6859			SW 12 (14 Nm)	SW 10																		
4	A	<table border="1"> <thead> <tr> <th>DN (mm)</th> <th>EN 10226-1</th> </tr> </thead> <tbody> <tr> <td>15</td> <td>G 3/4</td> </tr> <tr> <td>20</td> <td>G 1</td> </tr> <tr> <td>25</td> <td>G 1 1/4</td> </tr> <tr> <td>32</td> <td>G 1 3/4</td> </tr> </tbody> </table>	DN (mm)	EN 10226-1	15		G 3/4	20	G 1	25	G 1 1/4	32	G 1 3/4	C	<table border="1"> <thead> <tr> <th>DN (mm)</th> <th>SW (mm)</th> </tr> </thead> <tbody> <tr> <td>15</td> <td>32</td> </tr> <tr> <td>20</td> <td>41</td> </tr> <tr> <td>25</td> <td>50</td> </tr> <tr> <td>32</td> <td>63</td> </tr> </tbody> </table>	DN (mm)	SW (mm)	15	32	20	41	25	50	32	63	
	DN (mm)		EN 10226-1																							
15	G 3/4																									
20	G 1																									
25	G 1 1/4																									
32	G 1 3/4																									
DN (mm)	SW (mm)																									
15	32																									
20	41																									
25	50																									
32	63																									
B																										
5																										
7																										

<b>1</b>		R 1/8	<b>003H6852</b>		SW 12 (14 Nm)	SW 10
		R 3/8	<b>003H6853</b>		SW 12 (14 Nm)	SW 17
		R 1/2	<b>003H6854</b>		SW 12 (14 Nm)	SW 22
		-	<b>003H6860</b>		SW 12 (14 Nm)	SW 12 (14 Nm)
<b>2</b>		G 1/8	<b>003H6931</b>		SW 12 (14 Nm)	SW 14
			<b>003H6932</b>			
<b>3</b>		R 1/8	<b>003H6857</b>		SW 12 (14 Nm)	SW 10
		R 3/8	<b>003H6858</b>		SW 12 (14 Nm)	SW 17
		R 1/2	<b>003H6859</b>		SW 12 (14 Nm)	SW 22



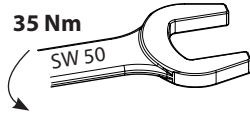
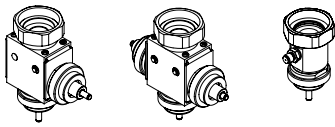


<b>A</b>	<b>B</b>	<b>C</b>	<b>A B C</b>										
			<table border="1" style="display: inline-table; border-collapse: collapse;"> <thead> <tr> <th>DN (mm)</th> <th>SW (mm)</th> </tr> </thead> <tbody> <tr> <td>15</td> <td>32</td> </tr> <tr> <td>20</td> <td>41</td> </tr> <tr> <td>25</td> <td>50</td> </tr> <tr> <td>32</td> <td>63</td> </tr> </tbody> </table>	DN (mm)	SW (mm)	15	32	20	41	25	50	32	63
DN (mm)	SW (mm)												
15	32												
20	41												
25	50												
32	63												
<table border="1" style="display: inline-table; border-collapse: collapse;"> <thead> <tr> <th>DN (mm)</th> <th>EN 10226-1</th> </tr> </thead> <tbody> <tr> <td>15</td> <td>G 3/4</td> </tr> <tr> <td>20</td> <td>G 1</td> </tr> <tr> <td>25</td> <td>G 1 1/4</td> </tr> <tr> <td>32</td> <td>G 1 3/4</td> </tr> </tbody> </table>		DN (mm)	EN 10226-1	15	G 3/4	20	G 1	25	G 1 1/4	32	G 1 3/4		
DN (mm)	EN 10226-1												
15	G 3/4												
20	G 1												
25	G 1 1/4												
32	G 1 3/4												

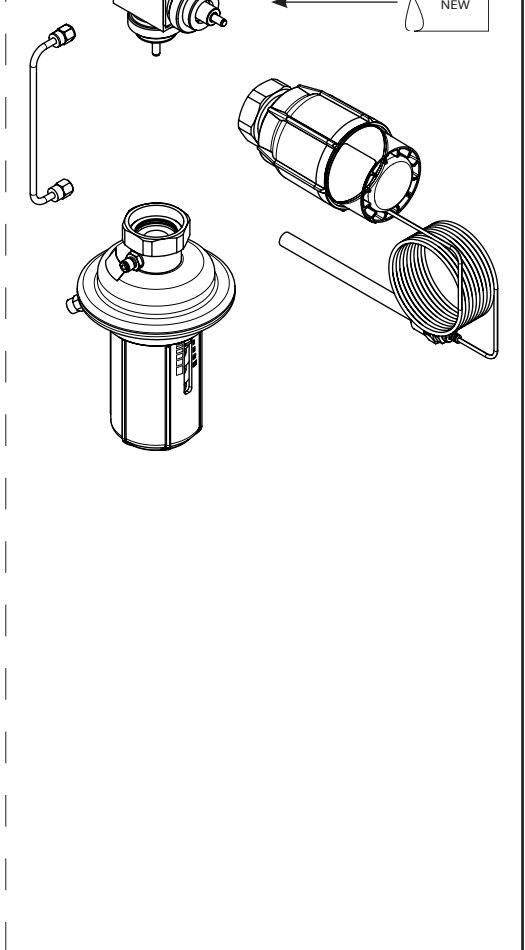
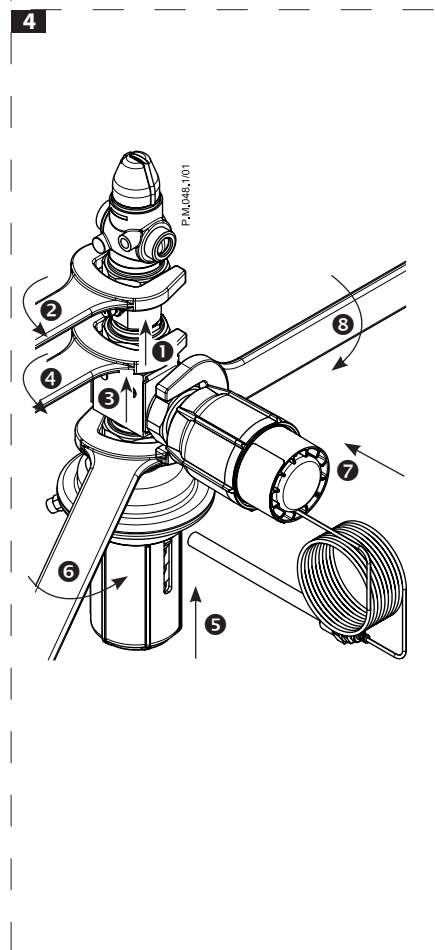
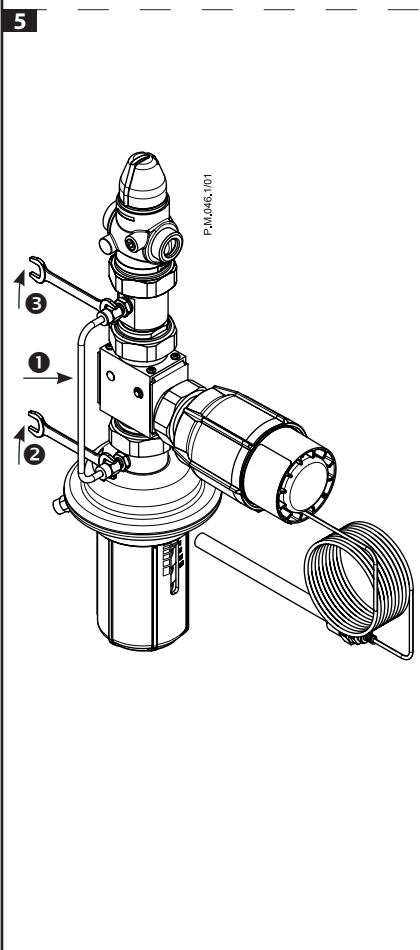
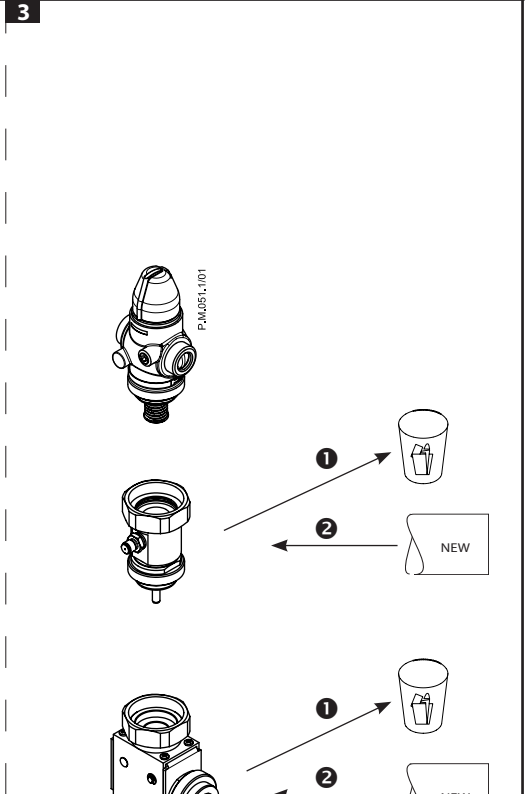
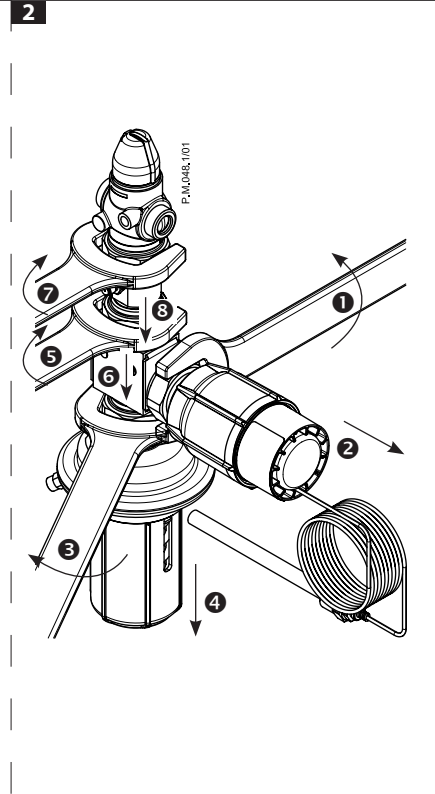
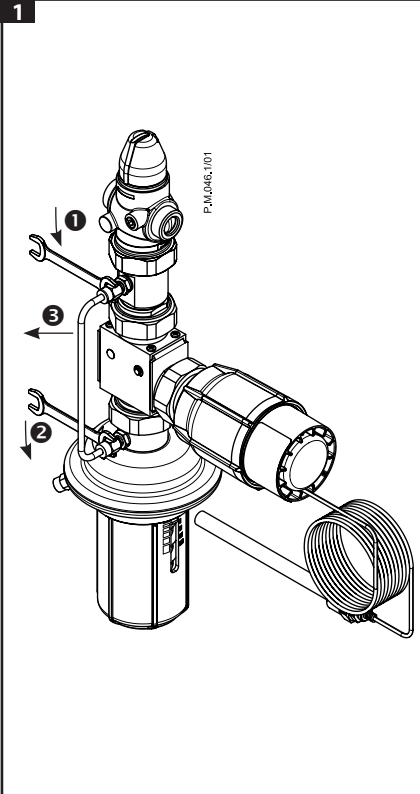
<b>A</b>	<b>2</b>

<b>B</b>	<b>2</b>

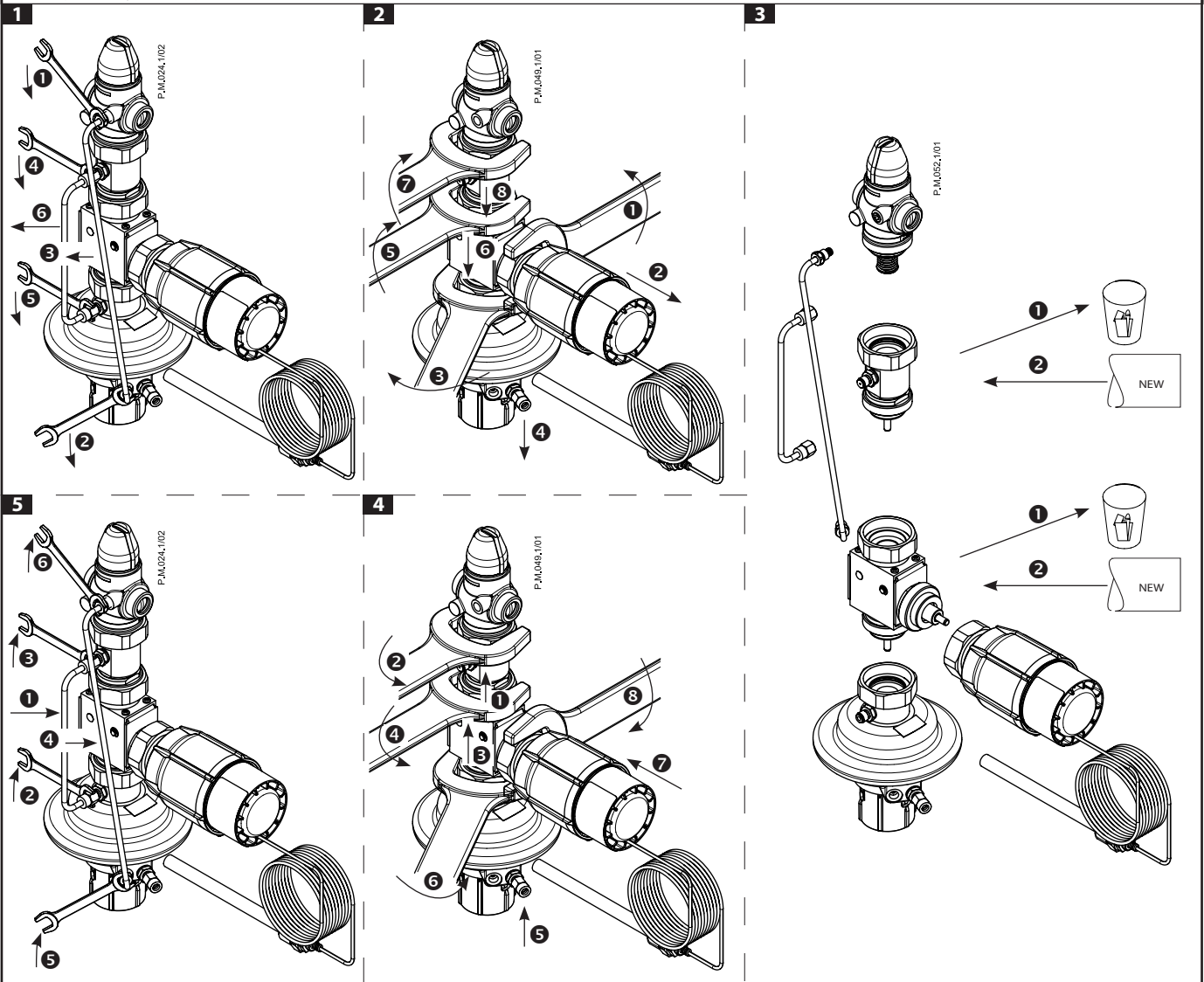
<b>C</b>	<b>2</b>



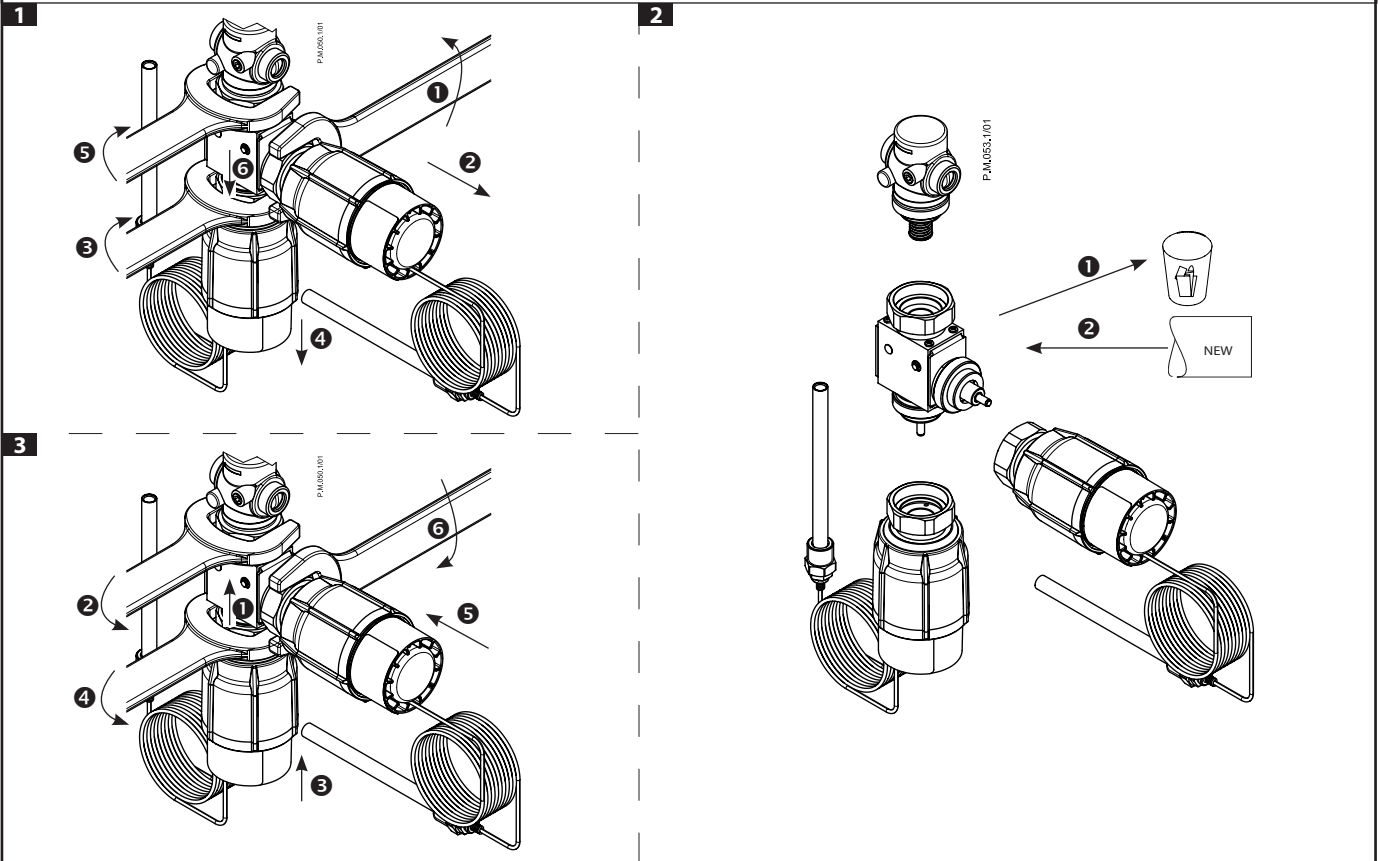
AVPBT/AVT, AVPBT/STM

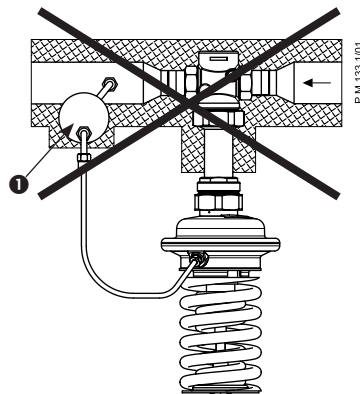
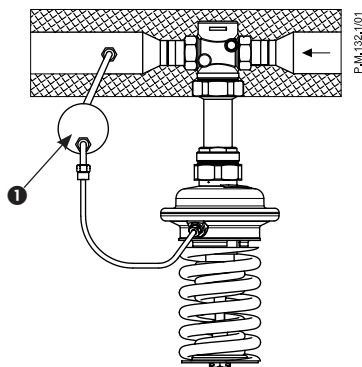
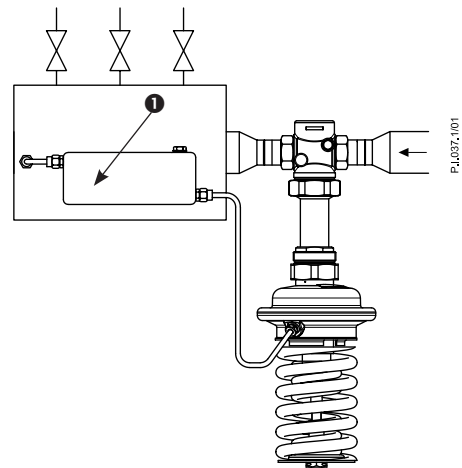
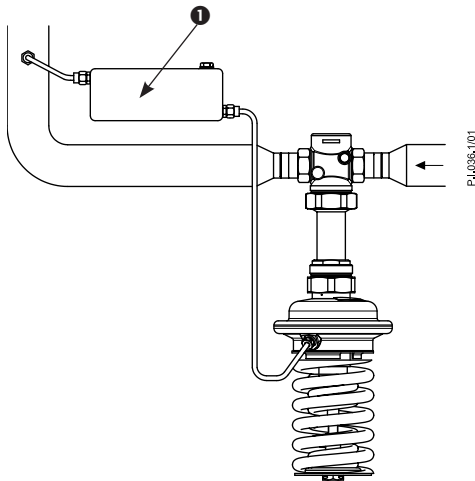
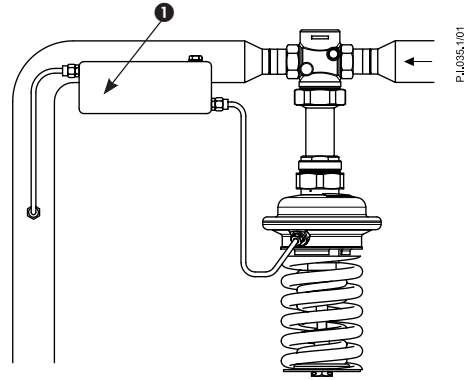
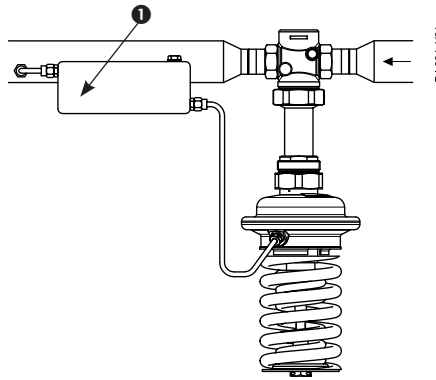
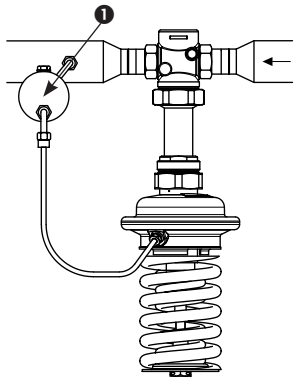
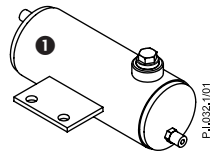


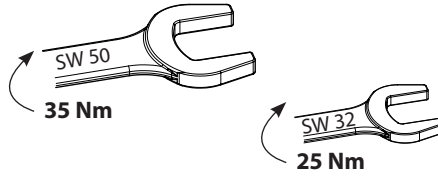
AVPQT/AVT, AVPQT/STM



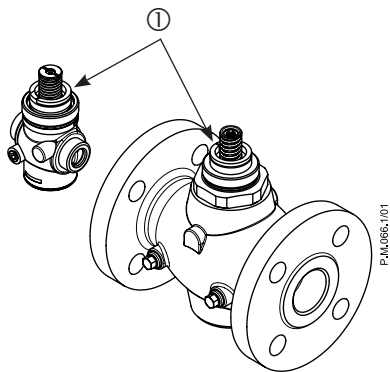
AVT/AVT/VG(F), AVT/AVT/VGS, STM/AVT/VG(F), STM/AVT/VGS



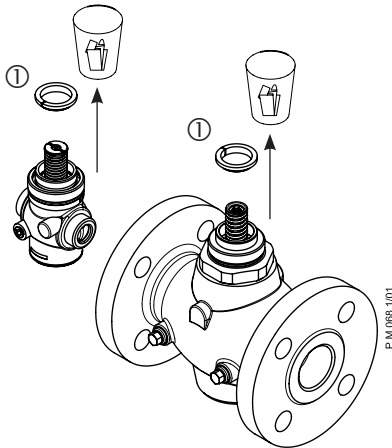




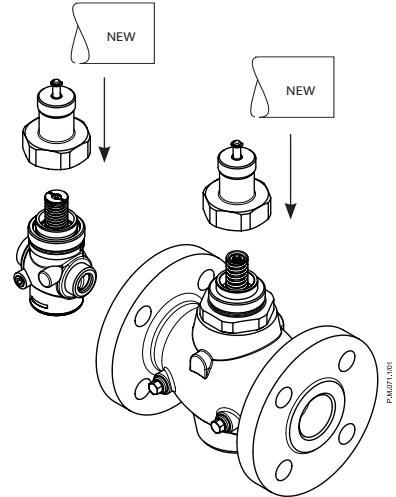
1



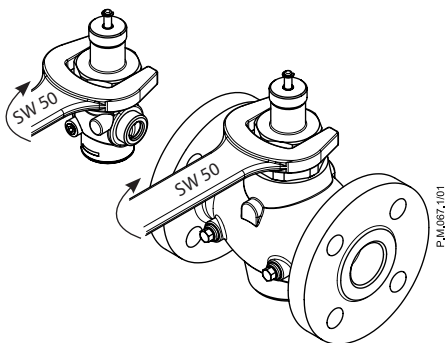
2



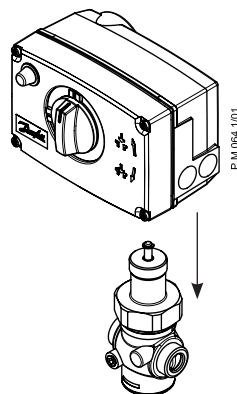
3



4



5



6

